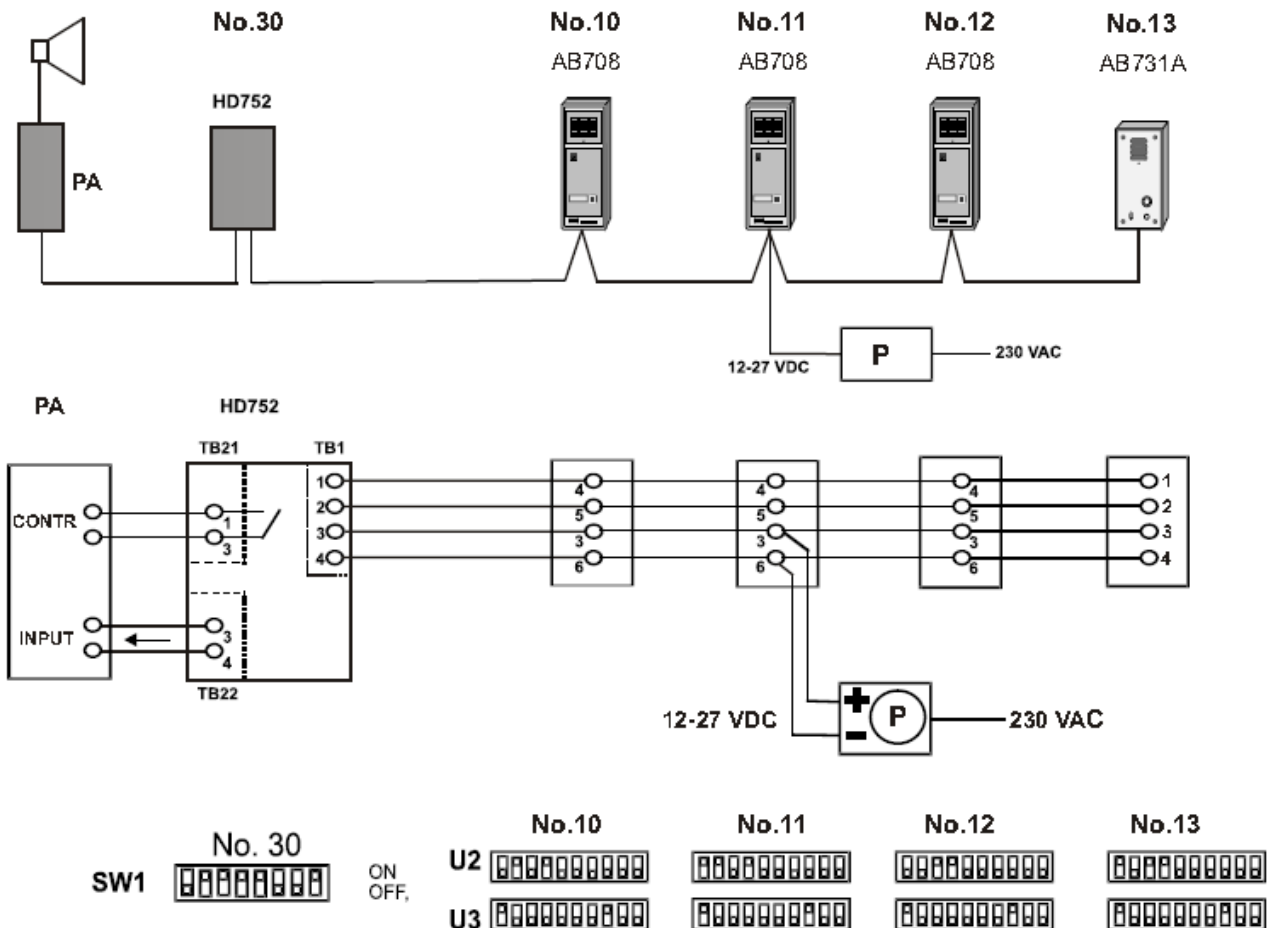




WAREHOUSE PA

One Button Remote Microphone Control



Description

P: Power supply

This configuration can be used when there is a requirement to operate a PA system from different locations.

Stations 10, 11, 12 and 13 can all make "emergency call".

By pressing the call button, and keeping it pressed during the whole speech, an announcement can be made to to HD752 and the loudspeakers in the PA system.

The call will be automatically cancelled when the call button is released.

All the other stations will also receive the announcement if switch U2-10 is set to the ON position in all stations.

AB731A is installed outside the building, in the loading area.

NOTE:

The location of the AB stations are critical.

In order to avoid accoustic feedback, the stations must be mounted away from the loudspeakers.

It may be necessary to install the stations in a separate room, or inside a soundproof cabinet.