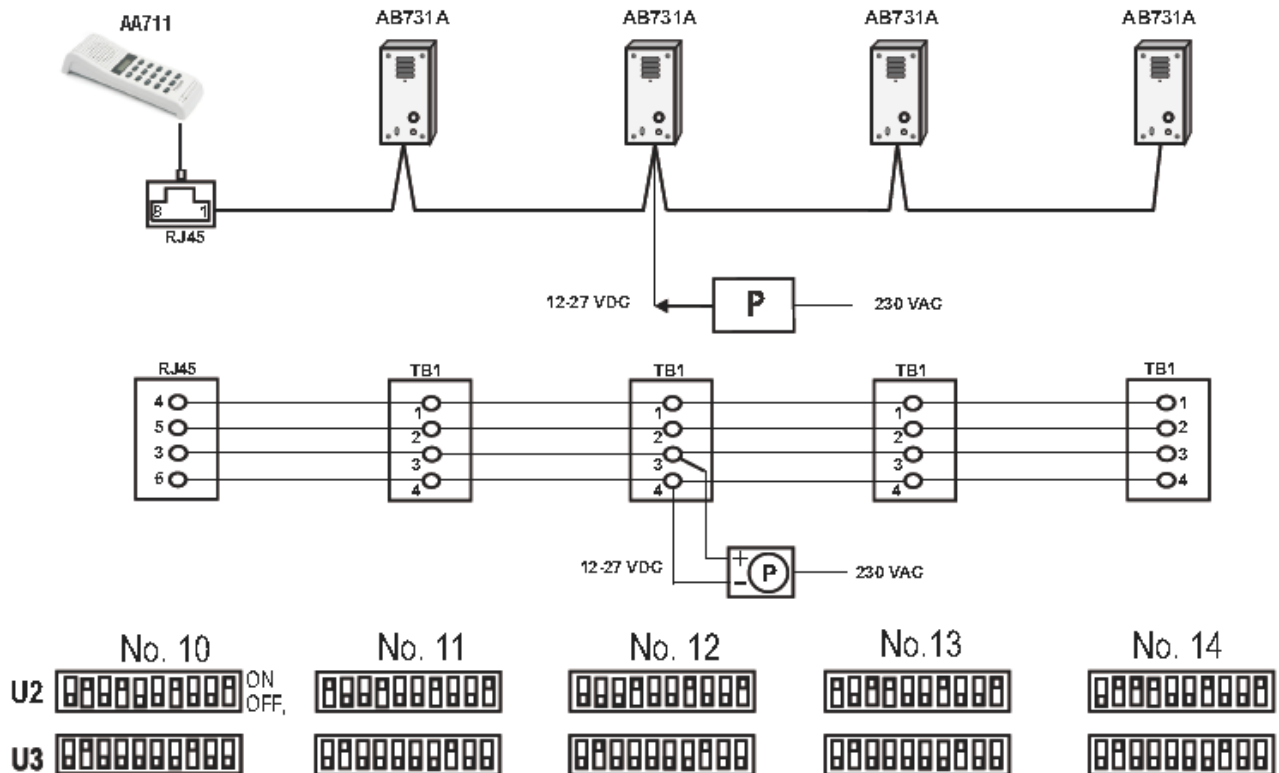




SWIMMING POOL AREA

Emergency Call With Supervisor

Direct Dailling With Emergency Call



Description

P: Power supply. Should be located as close to the centre of the installation as possible.

All stations are programmed as direct dialling 10 keys stations.

All stations can make an emergency call by pressing button no. 9.

A total of 9 stations can be connected in this system.

Station no. 10:

Button no.1 will directly call station no. 11.

Button no.2 will directly call station no. 12.

Button no.3 will directly call station no. 13.

ETC.

Button no.9 will make an emergency call. All the other stations will receive this call.

Stations no. 11-12-13-14:

All the other stations are called simultaneously when button no.9 is pressed in one of the stations.

The emergency call will be cancelled automatically when button no.9 is released.

Emergency call will cancel (automatic priority) an ongoing conversation, which has been established by pressing one of the buttons from 1 to 8 in station no. 10.