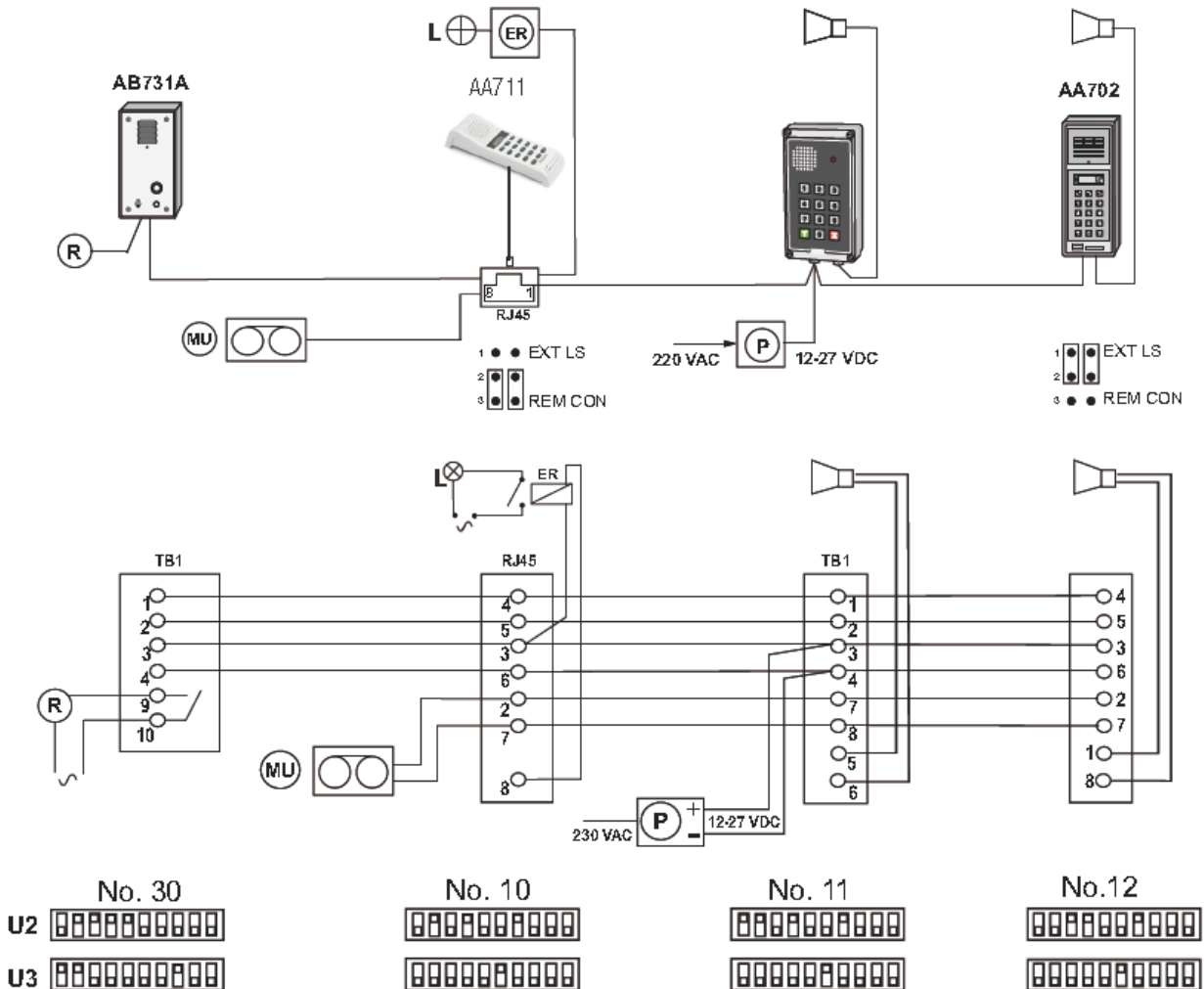




SMALL INDUSTRY

Door-Office-Workshop-Store



Description

R: Door Lock

L: Call-Lamp outside the office

ER: External relay for operation of the call lamp. Pin 8 of station no.10 can supply 30mA to the external relay

MU: Tape recorder

P: Power supply

Door station, No. 30, is making a door-bell call to the stations inside the building.

Stations No. 10, 11 and 12 can accept the doorbell call by pressing button "5".

No. 10, 11 and 12 can press button "5" during conversation to operate the relay inside station no.30, to open the door.

When stations no.11 and 12 have established a connection with the office no.10, they can press the "5" button to operate the lamp. The lamp is located outside the office door to inform about the call if the person is outside the office.

Stations No.10,11 and 12 can dial 96 to listen to music.