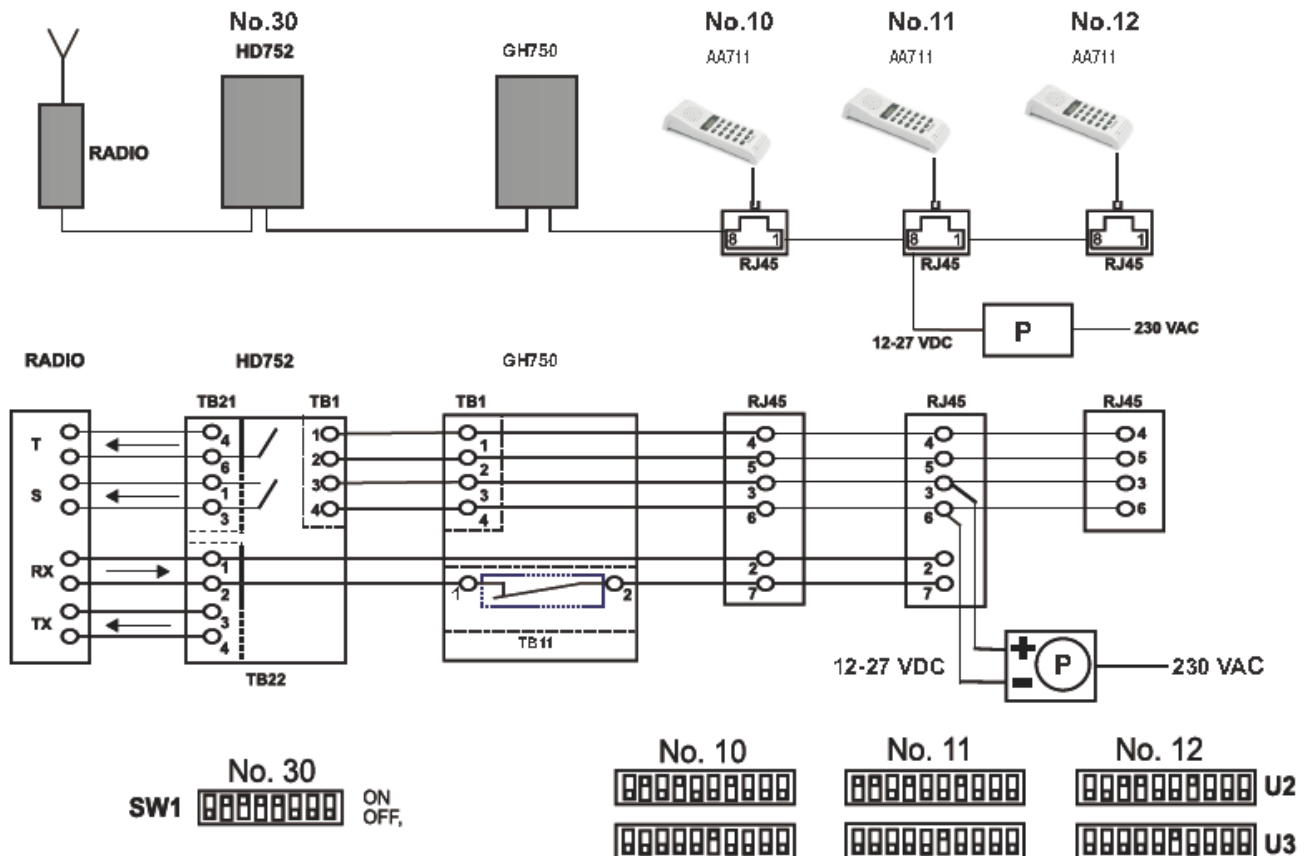




RADIO COMMUNICATION

Open Network. Alt.2, Indirect Call-In, With Monitoring Cut-Out



Description

P: Power supply.

T: Talk. Simplex operation. Controlled by the press to talk "T" button on the conversing station.

S: Start (for duplex operation). If required by the radio set. Will be closed during the whole conversation.

Stations 10, 11 and 12 can call each other.

Stations 10, 11 and 12 can make a radio call by dialling the call number to interface HD752, which is 30.

Radio calls are open and will be heard by everyone listening on the frequency.

The program channel pair to stations 10 and 11 are connected to the RX line from the radio.

Stations 10 and 11 can listen to the program channel by dialling 96. All radio traffic can now be monitored by station 10 and 11. When an in-coming call is identified, then stations 10 or 11 can dial 30 to the HD 752 interface and talk to the radio that made the call.

The radio call can not be heard by station 12.

GH750 has been programmed to operate relay no.1 when anyone is calling to HD752 (radio). The RX line from the radio is then opened by the relay contacts. If station no.10 is calling, then station no.11 cannot listen to the established conversation between station no.10 and the radio.

The same operation will take place when station no.11 is calling the radio (HD752).