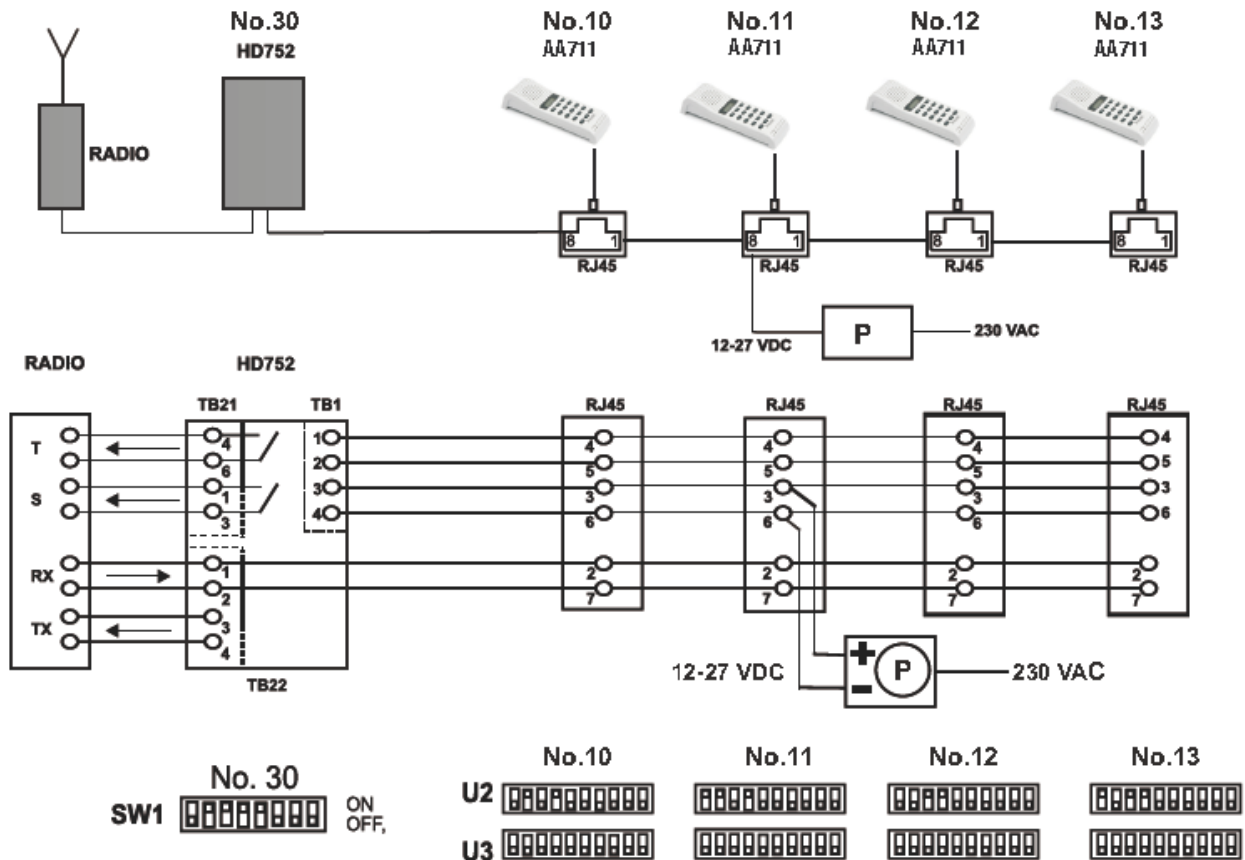




### POLICE STATION

Remote Radio Control



#### Description

P: Power supply.

T: Talk. Simplex operation. Controlled by the press to talk "T" button on the conversing station.

S: Start (for duplex operation). If required by the radio set. Will be closed during the whole conversation.

Stations 10, 11, 12 and 13 can call each other by normal dialling.

The program channel pair to stations 10, 11, 12 and 13 is connected to the RX line from the radio.

The officer on duty can now leave the radio room and move freely around in the building for other duties.

At each location where the officer is at the moment, he will dial the program channel ( no. 96), thereby monitoring all radio traffic.

When the duty officer hears that a patrol car is requesting an answer from the police station, he will dial 30 and be connected to the radio for conversation.