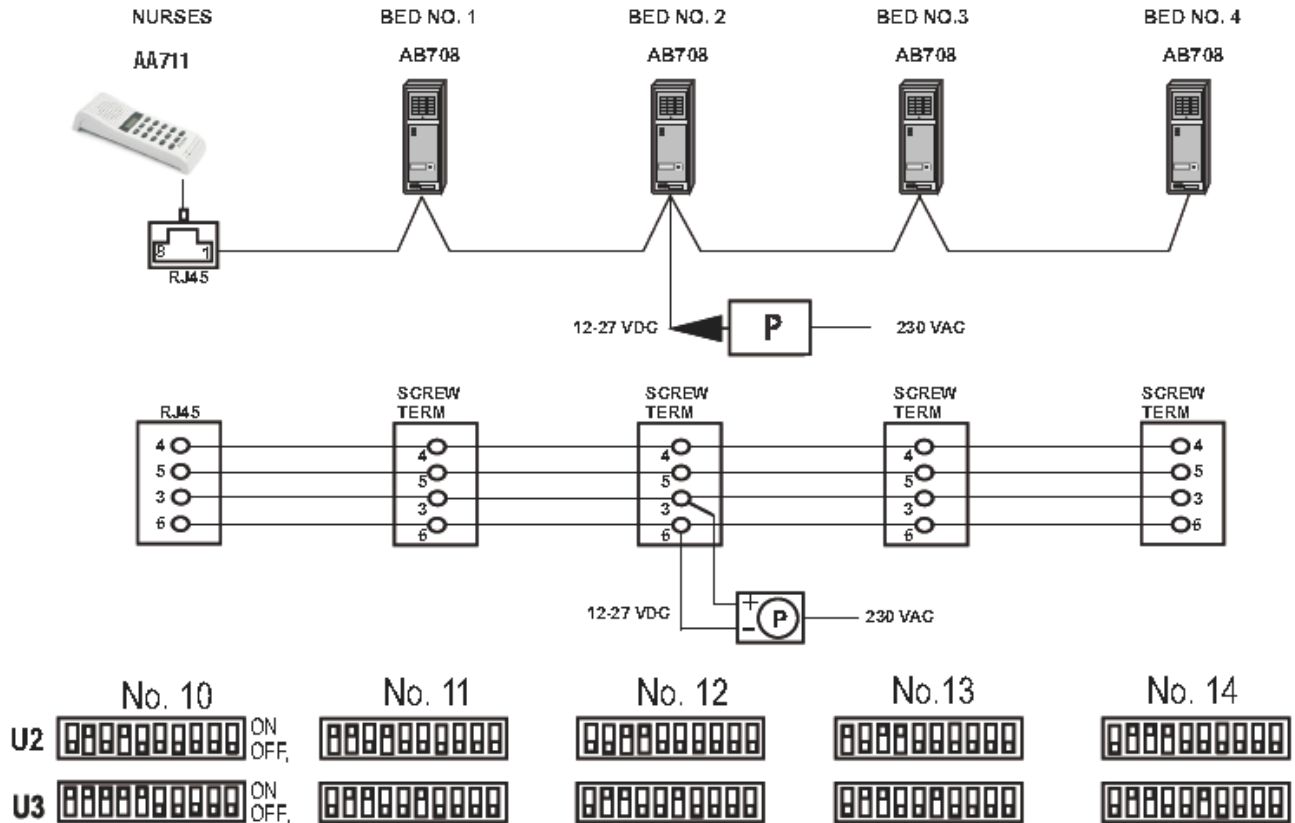




NURSING HOME

The Nurses In The Duty Room Can Listen In On The Babies Automatically



Description

P: Power supply. Should be located as close to the centre of the installation as possible.

Station 10 is programmed as a CAS operator, master.

The other stations are programmed as CAS call in stations.

Station 10 has the option to connect the bed stations microphone by dialing the following:

- 1: 95 'Bed call no'. No. 10 can now listen in on one bed station.
- 2: 95 5. The microphone in all bed stations will be connected sequentially for 5 seconds each, to no.10.
- 3: 95 6. No 10 can listen in on one station at a time by pressing the 'T' button.

A two way communication with the monitored bed station can be established by pressing '0'.

In order to prevent the warning tone from disturbing the babies, you should remove the warning tone from each station.

This is achieved by removing R42 from NFE1690A in each station.

