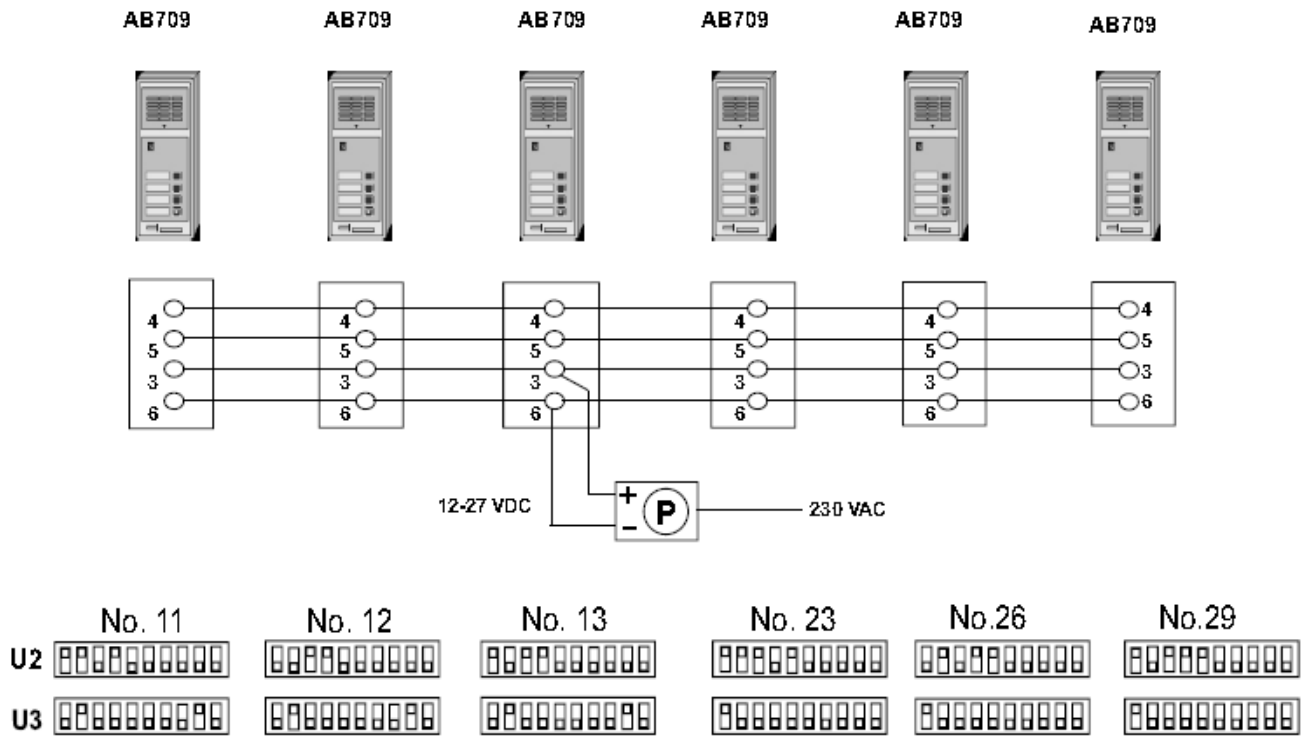




## LABORATORY

Layout Alt.2



### Description

P: Power supply

6 sub stations with 3 call buttons are connected into 2 groups.  
 Stations no.11,12 and 13 are programmed as direct dial 10 keys stations, and can directly call stations no. 23, 26 and 29.  
 Stations no. 23, 26 and 29 are programmed as direct dial 3 keys stations and can directly call stations no.11,12 and 13.  
 All stations can cancel the connection by pressing the "X" button.