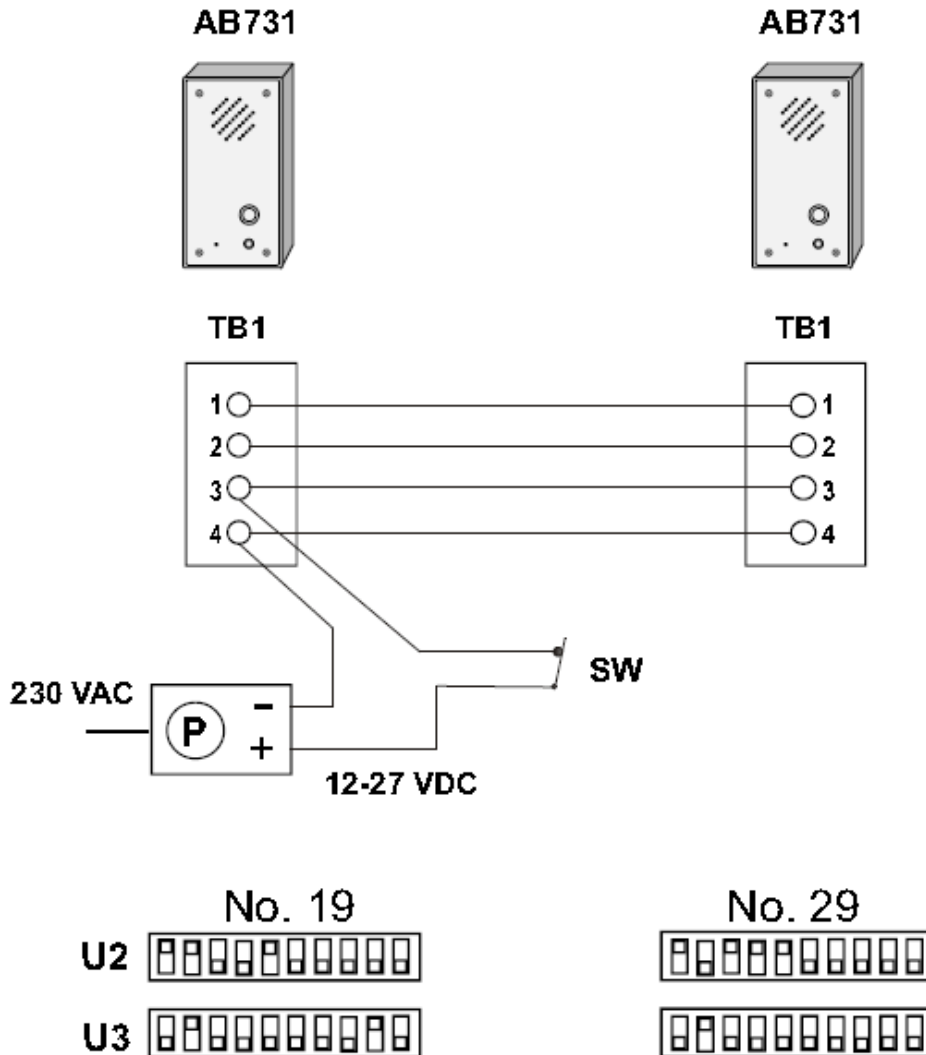




JAIL

Vivitor Area Communication



Description

P: Power supply

SW: Switch operated by the guard to enable/disable communication.

Two stations are located on each side of the window in the visitor room.

The guard must turn on switch SW to permit conversation.

The connection can be established from any of the two stations by pressing the call button.

The guard will open switch SW to terminate the conversation.