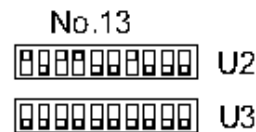
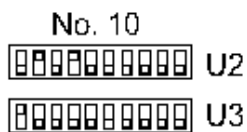
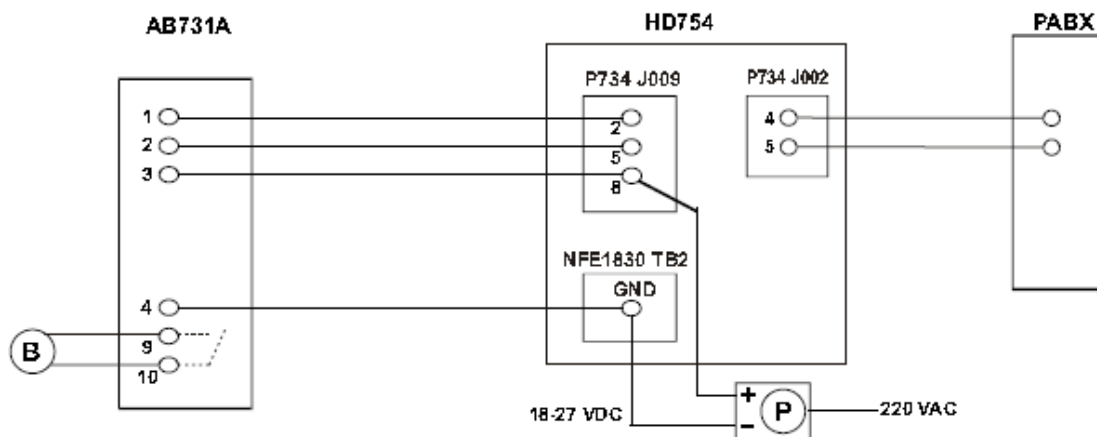
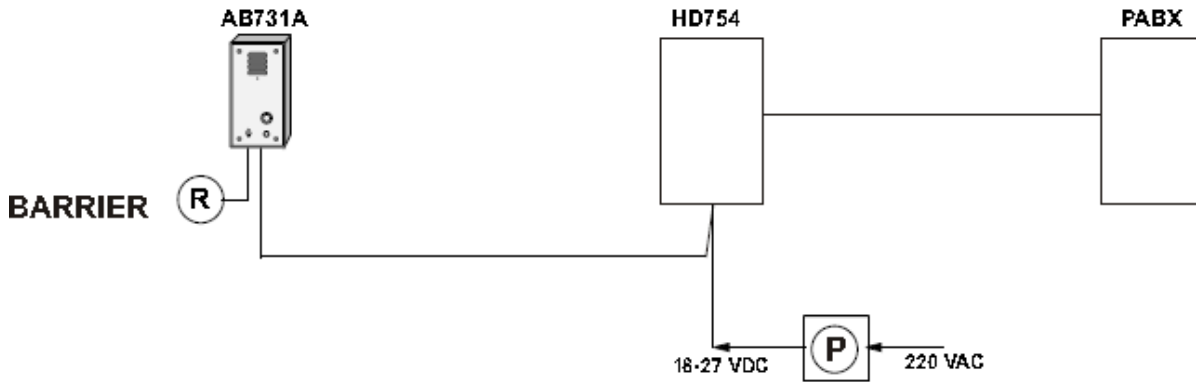




## ENTRANCE CONTROL

A Barrier Is Controlled Via Mobile Phone



### Description

B: Barrier motor. Operated via the potential free relay contact inside the station.  
P: Power supply.

The one button station AB731A is located at the barrier, which is blocking the road to a school. The potential free contact of the built-in relay in AB731A is connected to the barrier motor control. A telephone interface HD754 is located at the PABX inside the school building. The telephone number to the supervisor's mobile phone is pre programmed into the HD754 unit via a laptop computer. When a visitor at the barrier presses the call button in the AB731A station, a call is made to HD754 and a connection to the supervisor's mobile phone is established. The supervisor can now open the gate by pressing the no. 5 button in the mobile phone.