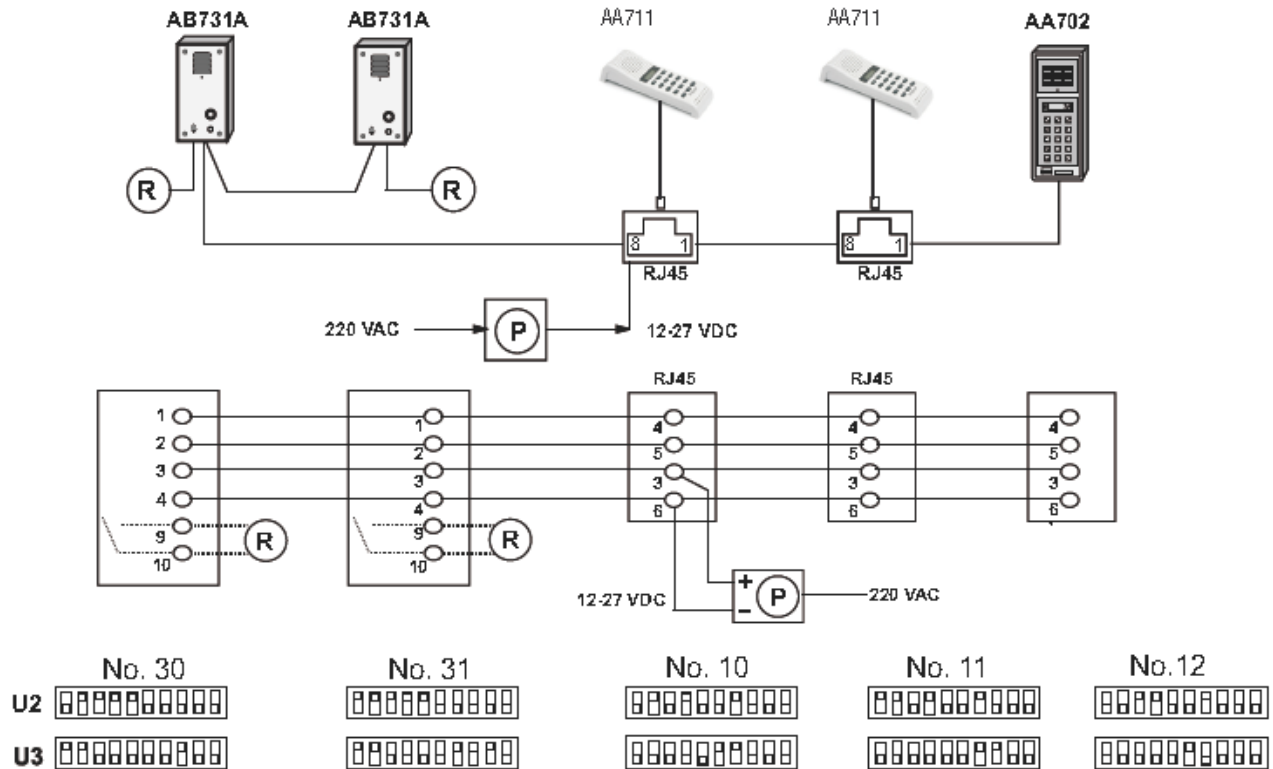




### ENTRANCE CONTROL

Two Door-Stations Are Calling



#### Description

Two one button stations AB731A are located outside two doors.

The potential free contact of the built-in relay of AB731A is connected to each door lock.

Two stations AA701 stations and one AA702 station are located inside the building.

Each station AA701 and AA702 can call all the other stations by dialling the call number.

R: Door lock. Operated via the potential free relay contact inside the station.

P: Power supply. Should be located as close to the centre of the installation as possible.

Door station no. 30 is making a door bell no.1 call to 10,11 and 12 inside the building.

All stations 10, 11 and 12 can open the door by operating the built-in relay in the door station no. 30. (Pushing the "5" button).

The closing contact of the built-in relay in no. 30 is controlling the door lock.

No. 30 is programmed for unlimited call time. The door bell active time (waiting for answer before automatic cancelling) is 2 minutes.

Door station no. 31 is making a door bell no.2 call to no.10 and 11 inside the building.

All stations 10, 11 and 12 can open the door by operating the built-in relay in the door station no. 31. (Pushing the "5" button).

The closing contact of the built-in relay in no. 30 is controlling the door lock.

No. 31 is programmed for unlimited call time.

The door bell active time (waiting for answer before automatic cancelling) is 30 seconds.

Doorbell 1 and Doorbell 2 will give 2 different warning signals.