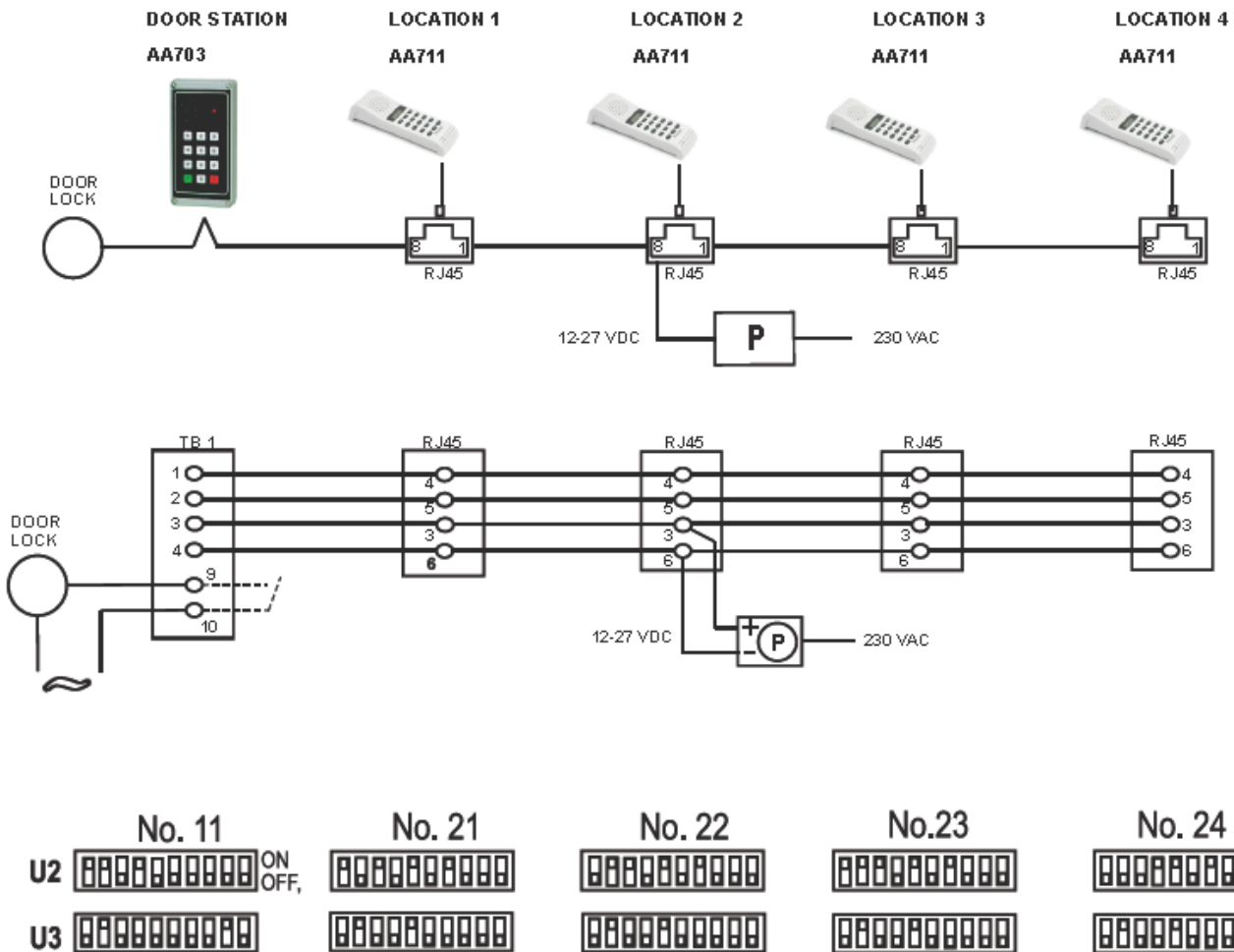




DOOR COMMUNICATION

10 Locations Can Be Connected



Description

P: Power supply. Should be located as close to the centre of the installation as possible.

All AA711 stations are programmed as direct calling 10 key stations, first decade.

The AA711 stations can not call each other. They can only call the door station AA703 by pressing the no. 1 button.

The AA703 door station is programmed as a direct dialling 10 key station, second decade.

AA711 at location 1 is called by pressing the no.1 button.

AA711 at location 2 is called by pressing the no.2 button.

And so-on.

The AA711 stations can open the door by pressing the no.5 during conversation.

All AA711 stations are programmed with "always privacy", to prevent direct call-in.