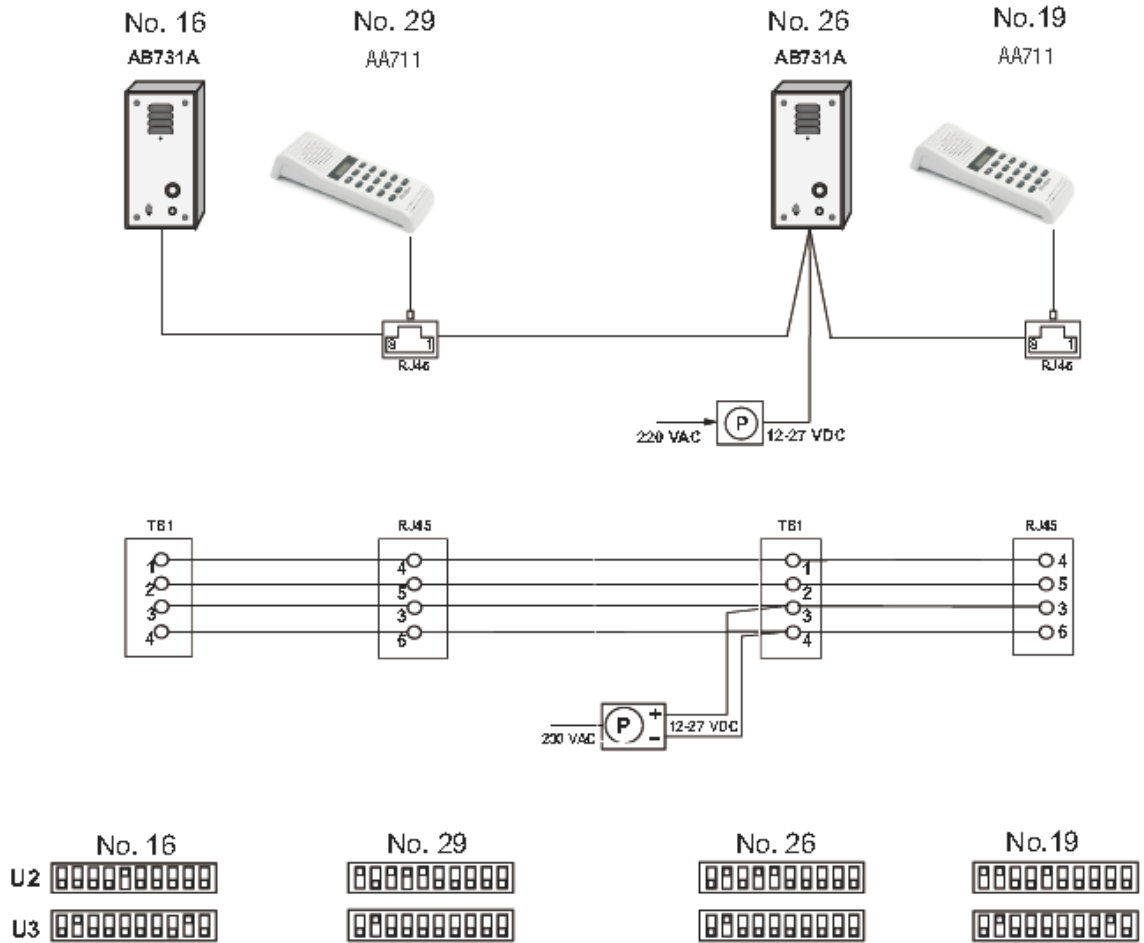




CASHIER SAFETY COMMUNICATION

Cashiers Can Communicate Internally



Description

P: Power supply

A petrol station has 2 cashier positions.

Each cashier is sitting inside the station and is separated from the outside by a glass window.

The customer at the outside can call the cashier by pressing the call button in the AB731A station.

The cashier can also call the outside by pressing one of the call buttons in the AB707 station.

The two cashiers can call each other by pressing one of the other call buttons on the AB707 station.

Cashier station no. 29.

The lower call button is dialling the other cashier at call no.19.

The middle call button is dialling the local customer station at call no.16.

Cashier station no. 19.

The lower call button is dialling the other cashier at call no.29.

The middle call button is dialling the local customer station at call no.26.