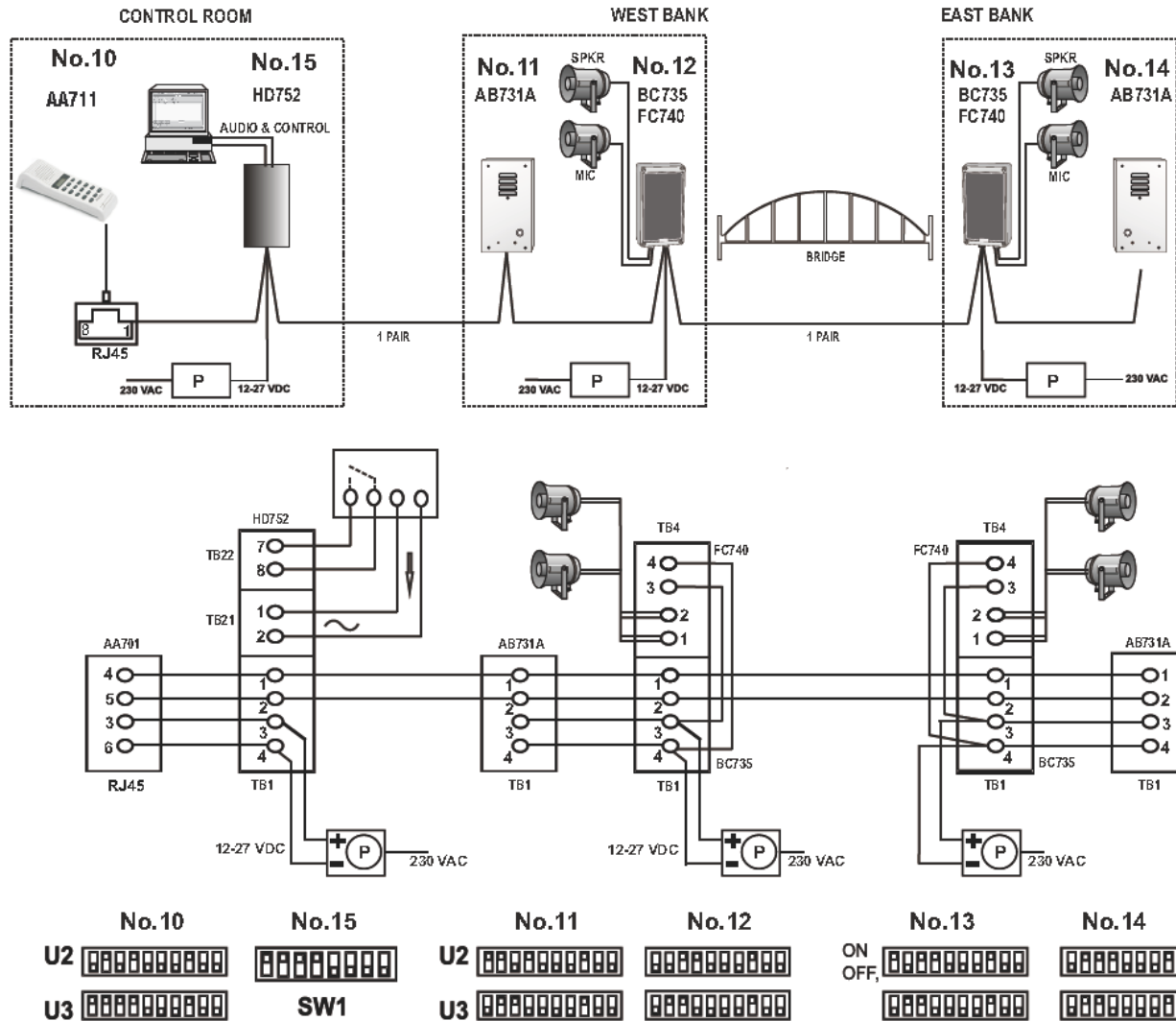




BRIDGE COMMUNICATION SYSTEM

Guard Can Give Alarm Via PC



Description

P: Power supply

A moving bridge is crossing a narrow waterway for small boats. The bridge must be lifted when a boat is coming. Stations are installed at each bridge end, and a call can be made to the control center, requesting the bridge to be lifted. Before lifting the bridge, the operator will trigger an alarm signal from the central control PC. HD752 is connected to the soundcard of that PC. When the relay contact on the card in the PC closes, HD752 will dial an All-Call. The alarm signal is generated in the PC and sent to HD752. All stations will receive the alarm signal. The AA711 station in the control room will also receive the alarm signal for monitoring purposes.